



# AluWood

Datasheet

## Product Description:

AluWood panels consist of a durable aluminum sheet combined with slats made from thermally treated softwood. The aluminum is powder-coated in black, and the slats are available in both natural and painted finishes.

The slats are both glued and screwed in place, ensuring a durability of at least 20 years.

Produced in Denmark, AluWood exterior panels combine functionality with a minimalist design. They are crafted to enhance your home with a sleek, long-lasting solution that merges modern aesthetics with quality.

*AluWood is CE-certified and meets European standards for construction products, complying with the Construction Products Regulation (CPR) EC Regulation No. 305/2011 and European Standard EN 14915:2013.*

## Manufacturer:

PVH Outdoor A/S (part of WoodUpp Group A/S)  
 Industrivej 13, 6780 Skærbæk, Denmark

## Specifications:

### Materials:

- Wood Type:** Thermally treated Nordic softwood.  
  
 The painted slats are thermally treated before painting.  
 Our wood supplier is FSC-certified and sources only from well-managed and replanted forests in the Nordic region.
- Aluminium:** Powder-coated, fine-textured, high-quality aluminum sheet EN13523.

Durability according to outdoor exposure	
Outdoor corrosion resistance	Class 3 Under creep average: ≤2mm Blistering: ≤B2 {S2} EN 13523-21 3 years 90° North Seaside Bohus-Malmö

- **Adhesive:** Hybrid adhesive 528 1907/2006 (REACH regulation).
- **Screws:** Hardened steel, ETA-10/0021.

Specially designed self-tapping screw used for slat attachment.

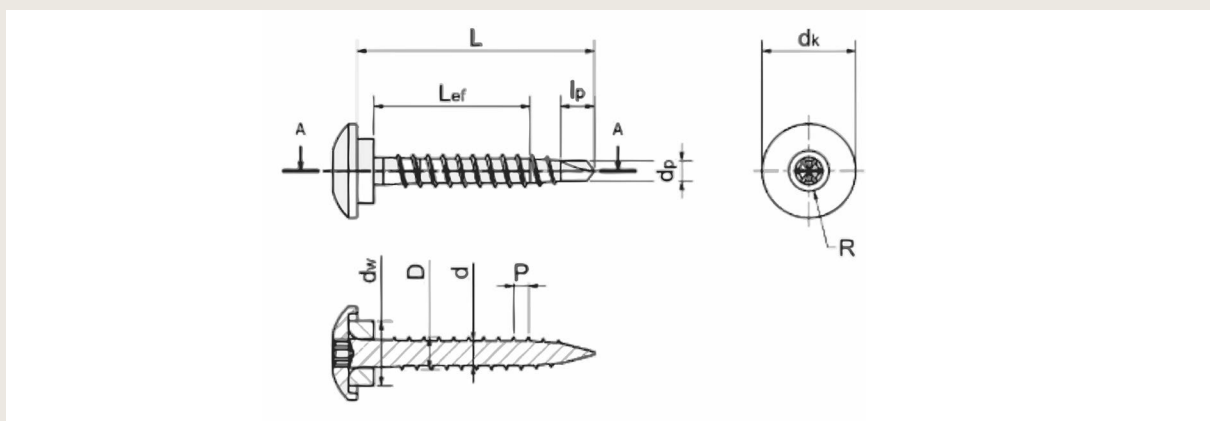
#1 drill tip for increased pull-out strength.

EPDM washer for better load distribution and sealing.

Zinc-coated for protection against rust, moisture, and weather conditions.

Screw dimensions:

Outer diameter: D	[mm]	Ø4.8
Inner diameter: d	[mm]	Ø3.6
Head diameter: dk	[mm]	Ø13.8
Washer diameter: dw	[mm]	Ø9.5
Drill tip diameter: dp	[mm]	Ø2.9
Drill tip length: lp	[mm]	4.5
Thread pitch: P	[mm]	2.2
Drive type: R	[-]	TX20



### Key Product Features:

- **Fire Classification:**  
 AluWood: D-s1-d0 (Test report 2052 - EN13823:2020-11)  
 Aluminum: A2-s1-d0 (EN 13501:2018-07/2018)  
 Can be delivered in Bs-1-d0.
- **Formaldehyde Content:** E1
- **Biological Durability:** Class 2
- **Sound Absorption:** Not specified
- **Water Vapor Permeability (wood):**  $\wedge 0,11 \text{ W}/(\text{m}\cdot\text{K})$
- **Pentachlorophenol Content:** <5 ppm

**Hazardous Substances:**

The product does not contain substances listed on the REACH candidate list.

**Environmental Impact:**

AluWood has an Environmental Product Declaration (EPD) in accordance with ISO 14025 and EN 15804+A2, issued by The Norwegian EPD Foundation.

Compared to many alternatives, AluWood scores highly in terms of environmental impact when properly recycled and managed after its lifecycle. Correct disposal and recycling can significantly reduce environmental strain, potentially resulting in a neutral or even positive CO<sub>2</sub> balance.

At WoodUpp's own factory in Denmark, we continuously work on optimizing resource utilization and reducing air pollution.

**Colors & Dimensions**

**Note:** When installed, the panels cover slightly less than their full size due to overlap. Detailed dimensions can be found on pages 7.

Colors	Panel Size	Installed Coverage	Weight
Oiled Brown	2400 × 451 × 33 mm	2400 × 415 × 33 mm	7,5 kg.
Grey RAL 7039	2400 × 451 × 33 mm	2400 × 415 × 33 mm	7,5 kg.
Black RAL 9005	2400 × 451 × 33 mm	2400 × 415 × 33 mm	7,5 kg.
Natural Brown	2400 × 451 × 33 mm	2400 × 415 × 33 mm	7,5 kg.
Aluminum	2400 × 451 × 15 mm	2400 × 415 × 15 mm	3 kg.

**Installation:**

AluWood panels are designed for easy installation, making them faster to mount compared to many other market alternatives, ultimately reducing project costs. The installation process is also accessible for DIY enthusiasts with basic skills, enabling them to handle simpler projects independently.

The panels can be mounted on wooden battens with a wind barrier. Any installation must allow airflow behind the panel.

Only vertical installation is allowed.

When mounting AluWood on a roof, it must be installed vertically with a slope to ensure water runoff and prevent accumulation.

For correct installation, refer to the installation guide:

<https://woodupp.com/guides/aluwood>

The guide includes essential information on orientation, cutting, window installation, and more.

### **Safety Warnings:**

- Wear protective glasses and gloves during installation.
- Be cautious of sharp panel edges.

### **Pricing:**

Contact the dealer directly for pricing information.

### **Warranty:**

- **Warranty Period:** 2-year warranty.
- **Unlimited Support:** Get assistance via phone, chat, or video to ensure correct installation.

### **Packaging:**

Panels are securely packaged to prevent damage during transport.

### **Storage & Maintenance:**

Store the panels in a dry place, protected from direct sunlight, before installation. Clean them regularly to maintain their appearance.

The wood is thermally treated and requires no additional maintenance. However, over time, exposure to UV light may cause a natural graying effect, and small cracks or surface splits may develop.

To preserve the original wood color, you can treat it with a water-based oil. However, once started, treatment must be continued as per the manufacturer's recommendations. Water-based oil does not damage aluminum, but if oil gets on the surface, simply wipe it off with a dry cloth.

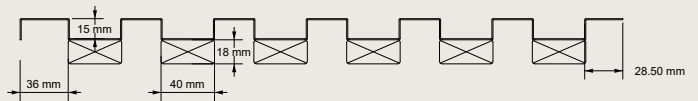
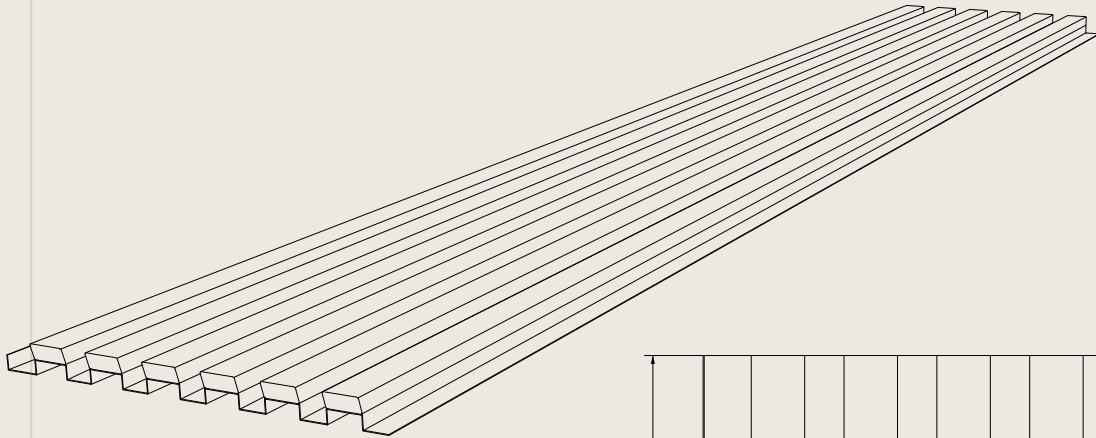
### **Production & Delivery:**

- **Delivery time:** Typically 5-10 business days
- **Production:** AluWood is manufactured in Denmark at WoodUpp's factory in Skærbæk. Each panel is hand-sorted and thoroughly inspected before packaging to ensure the highest quality.

For further information or inquiries, please contact WoodUpp.



## Aluwood (with wood)



## Aluwood plain (no wood)

